

DO NOT SCALE DRAWING

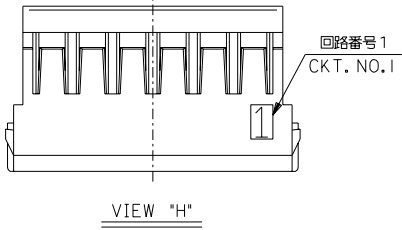
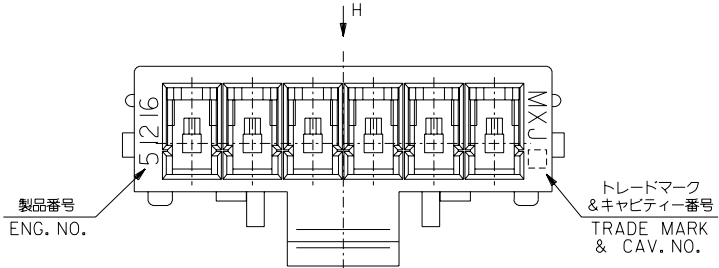
8 7 6 5 4 3 2 1

DWG. NO. SD-51216-004

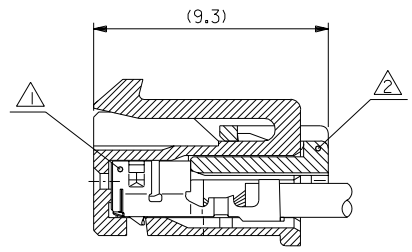
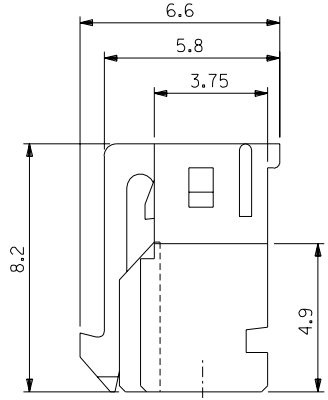
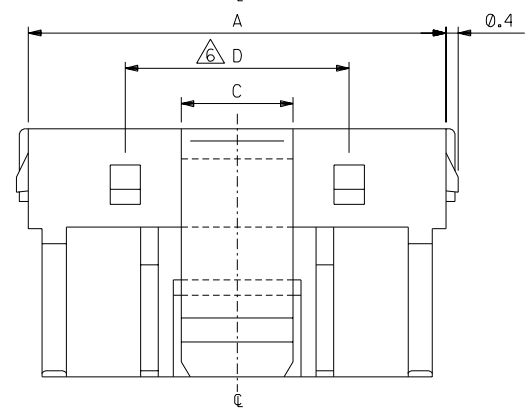
F D V C B

F D V C B

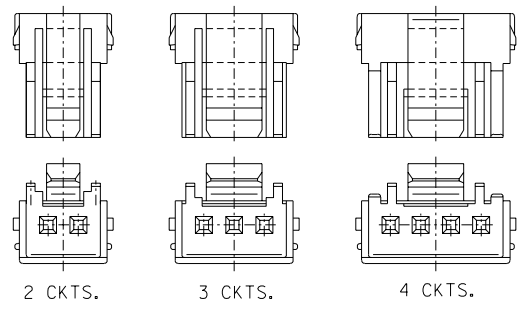
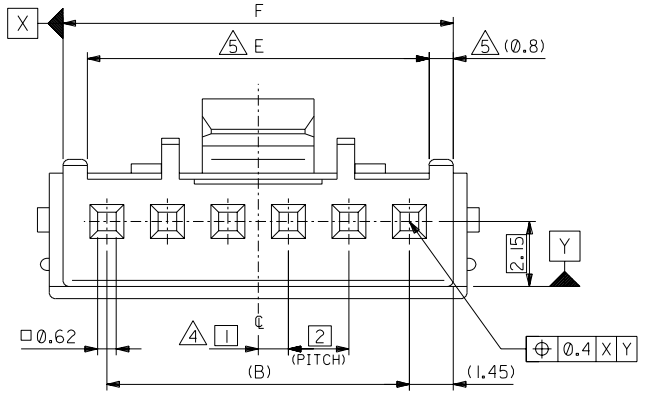
A



- 注記
NOTES
- △ 適合ターミナル : 59370シリーズ
APPLICABLE TERMINAL : 59370 SERIES
 - △ 適合リテーナー : 51217シリーズ
APPLICABLE RETAINER : 51217 SERIES
 - 3. 嵌合相手 : 55487シリーズ
MATE WITH : 55487 SERIES
 - △ 偶数極に適用。
APPLY EVEN CIRCUIT PRODUCTS.
 - △ 4~15極に適用。
APPLY 4-15 CIRCUITS.
 - △ 5~15極に適用。
APPLY 5-15 CIRCUITS.



ターミナル及びリテーナー装着状態図
TERMINAL & RETAINER ASSEMBLY DRAWING



極数レイアウト図
LAYOUT OF EACH CKTS.

30.9	29.3	7.4	3.7	28	31.8	51216-1500	15	
28.9	27.3			26	29.8	-1400	14	
26.9	25.3			24	27.8	-1300	13	
24.9	23.3			22	25.8	-1200	12	
22.9	21.3			20	23.8	-1100	11	
20.9	19.3			18	21.8	-1000	10	
18.9	17.3			16	19.8	-0900	9	
16.9	15.3			14	17.8	-0800	8	
14.9	13.3			12	15.8	-0700	7	
12.9	11.3			10	13.8	-0600	6	
10.9	9.3			8	11.8	-0500	5	
8.9	7.3			6	9.8	-0400	4	
6.9				3.7	4	7.8	-0300	3
4.9				2.2	2	5.8	51216-0200	2
F	E	D	C	B	A	MATERIAL NO.	CKT.	

EC NO. DRWN: CHK: APPR:	EC NO. DRWN: CHK: APPR:	EC NO. DRWN: CHK: APPR:	REVISED	MATERIAL 材料	GENERAL TOLERANCES: (UNLESS SPECIFIED) 一般公差	SCALE	DESIGN UNITS	MODEL NO.	DIMENSIONS:		SHT	REV
			EC NO. J2004-1674 DRWN:K.SETO '03/12/22 CHK: H.TAKASE APPR:J.MIYAZAWA 12/22						PBTP, UL94V-0 [色:自然色] [COLOR: NATURAL]	10 UNDER 未満 ±0.2		
			RELEASED	FINISH 仕上げ	ANGLE 角度 ±3°	DRAWN BY & DATE T.YASUI '00/2/22	CHECKED BY & DATE T.YAMAGUCHI '00/2/22	TITLE: 2.0 mm WIRE TO BOARD CONN. RECEPTACLE HOUSING	MOLEX MOLEX INCORPORATED			
			0	WIRE RANGE 適用線径範囲		CAD FILENAME 51216004.S01	MATERIAL NO. SEE CHART	DRAWING NO. SD-51216-004				SHEET NO. 1 OF 1
			A	INS. RANGE 被覆外径		THIS DRAWING CONTAINS INFORMATION THAT IS PROPRIETARY TO MOLEX INCORPORATED AND SHOULD NOT BE USED WITHOUT WRITTEN PERMISSION.						SIZE B